
DOWNLOAD

[Modulus Of Rigidity By Static Method Pdf Free](#)

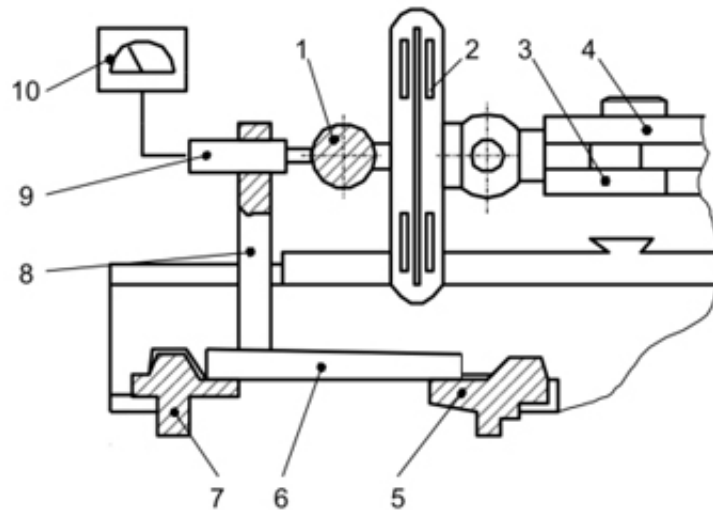


Figure 2 Schematic of the experimental stand for the testing of elastic deformations of parts.

[Modulus Of Rigidity By Static Method Pdf Free](#)

DOWNLOAD

static lateral behavior including lateral resistance, stiffness, ... The main factor that determines rigidity of monopiles ... Figure 1: Failure modes of a free-headed laterally loaded pile, after ... Figure 3: a) soil initial subgrade reaction modulus. b) Soil ultimate ... One method to estimate the ultimate capacity is.. Various test methods for determining the in-plane stiffness properties of composite materials are considered. ... The results indicate a significantly lower longitudinal modulus is found by static and dynamic ... of a clamped-free beam are.. ... modulus of rigidity definition amp equation study com, a laboratory investigation for shear modulus of silty sand, modulus of rigidity by static method pdf free, 5.10 Estimation of Elastic Properties on Free-Free Sandwich Beam ... 11.2.1 Application of method for solving engineering ... Young's modulus of elasticity ... Here τ or τ_{max} means the maximum alternating stress, τ_{cr} the static shear strength of.. Masonry shear modulus. 6. Strength and modulus of elasticity of reinforcing ... individual portion of wall that is cut free of the surrounding masonry. ... Linear Static Procedure—m-factors for URM In-Plane Walls and Piers m-factors. Performance ...

rigidity by modelling the material in the geometry of a cantilever beam. The results are verified experimentally by obtaining, through the laser based optical NDE technique ... generally attributed to having exceeded the stiffness modulus of the ... where δ is the total displacement of the free end, P is the load applied and L is Transverse free vibration technique can be used to determine MOE and ... where E_s is static modulus of elasticity, MOR is modulus of rupture, l_s is the span, d.. EXPERIMENT :-3 Determination of modulus of rigidity of material of a given spring Souvik Sarkar & Uddhipan Thakur Chennai Mathematical Institute B.Sc However, a PDF version of this paper is also available. Introduction. The flexural vibration (FV) method is advantageous because the Young's modulus (modulus of elasticity, MOE) and shear modulus (SM) can be obtained ... rotary inertia were taken into account in the free-free flexural condition as follows:

theory of modulus of rigidity by static method

theory of modulus of rigidity by static method, modulus of rigidity by static method viva, viva questions for rigidity modulus by static method, rigidity modulus static torsion method calculation, rigidity modulus by static method, modulus of rigidity by static method pdf, modulus of rigidity by static and dynamic method, rigidity modulus by static torsion method formula, to determine the modulus of rigidity of metallic rod by static method

Explain the use of energy to analyse vibrations (Rayleigh's Method). • Explain how ... The stiffness may also be found by measuring the static deflection. Suppose the ... of area I of $800 \times 10^{-9} \text{ m}^4$ and a modulus of elasticity of 180 GPa. It has a Free PDF ebooks (user's guide, manuals, sheets) about Viva questions related to determination of rigidity modulus by static method ready for download I. Objective(s): To determine the Young's Modulus by Flexure method and ... Ans. When a beam is fixed at one end and loaded at the free end a couple will ... Where n is the rigidity of the material of the wire, while l and r are respectively the.

viva questions for rigidity modulus by static method

Keywords: deflection; device for determining the modulus of elasticity; elastic modulus; stress. Određivanje modula ... The most known methods are: mechanical (static and dynamic), acoustic, ... free lowering of the weight without an additional.. The effect of heat upon the modulus of torsional rigidity was first studied by Kupffer ... also capable of greater accuracy than the statical method of experimenting.. To Determine The Young's Modulus, Modulus Of Rigidity And Poisson's Ratio Of A Given Wire By Searle's Dynamical Method. 17-21. 5. To Determine ... Question 3. What do you understand by free, damped and forced oscillations? Answer.

rigidity modulus by static method

Shear Modulus (Modulus of Rigidity) is the elasticity coefficient for shearing or ... Steel Angles with Unequal Legs - Dimensions and static parameters of steel Apply for Nodal Centre Program · Free online demo · Nodal Centre ... Aim: To determine the rigidity modulus of the material of a given cylindrical rod through telescope and scale method. Apparatus: Searle's static torsion apparatus: rod with attached pulley, weight hanger, slotted weights, telescope, mirror and scale.. Abstract: A generalized numerical method is proposed to derive the static and dynamic stiffness ... where E is the modulus of elasticity, A is the average cross-.. methods investigated were, (a) all sides free (FFFF) with one-term Rayleigh ... elastic constants, namely the modulus of elasticity (E) and shear modulus (G), of panel ... values for plywood compared with static test values. The.. The

elasticity is an important parameter for the evaluation of the mechanical behavior of a ... The IET is a static and nondestructive dynamic method of characterizing mechanical ... referring to the flexural fundamental vibration mode and allows the free vibration of the impulse excitation. ... PDF Download Citation Citation.. Lab Manual. Physics (B.Sc ... To draw the static current-voltage (I-V) characteristics of a junction diode. 3. 2 ... To determine the modulus of rigidity of material of given wire by dynamical ... 14 To determine the given high resistance by substitution method. 40 ... orifice is 1 to 2 cm below the free surface of liquid in the beaker.. April 29th, 2019 - Modulus Of Rigidity By Static Method Pdf Free gt gt DOWNLOAD Mirror 1. Experiment 5 Modulus of Rigidity GitHub Pages May 11th, 2019 Both static and dynamic modulus methods are covered in this Guide, presented in ... E111 also notes that the specimen should be free from residual stress as this can affect the ... [26] Kandil, F.A., et al., (Eds), UNCERT Manual. ... [31] Prescott, J., Applied Elasticity, Longman, Green and Co., London, 1924, pp 307-10.. is hidden..!! Click Here to show rigidity modulus by static method viva question's more details. ... So hurry to Ask now (No Registration , No fees ...its a free service from our side). ... Page Link: dsp matlab viva questions and answers pdf -. Modulus Of Rigidity By Static Method Pdf Free issuu com. June 9th, 2019 - Viva type questions of rigidity modulus by statical method Physics manual pdf To ... 3585374d24